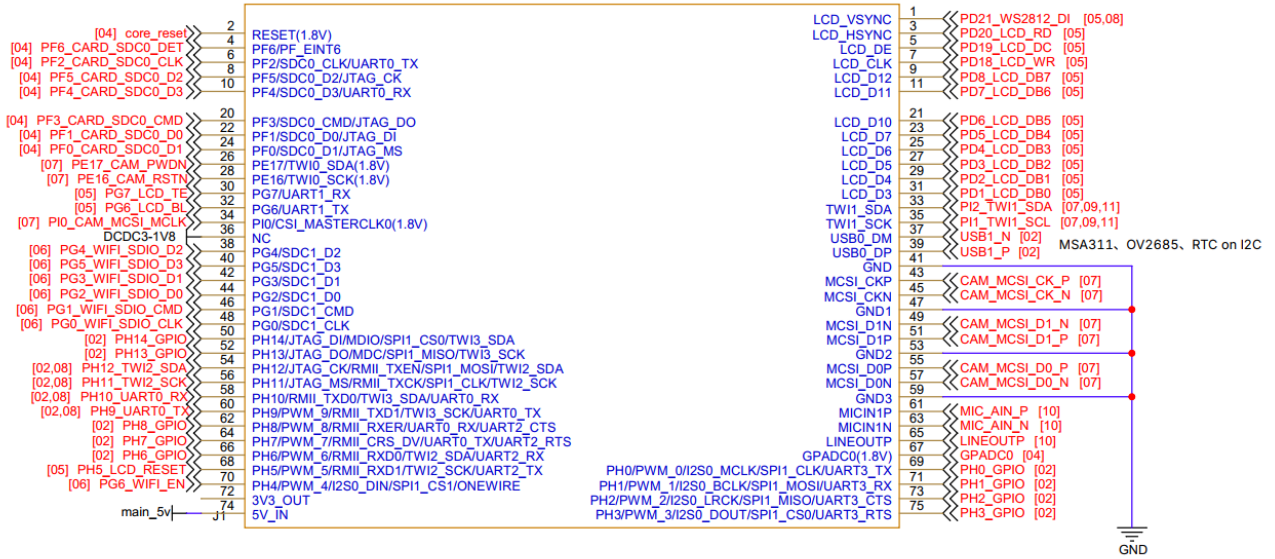
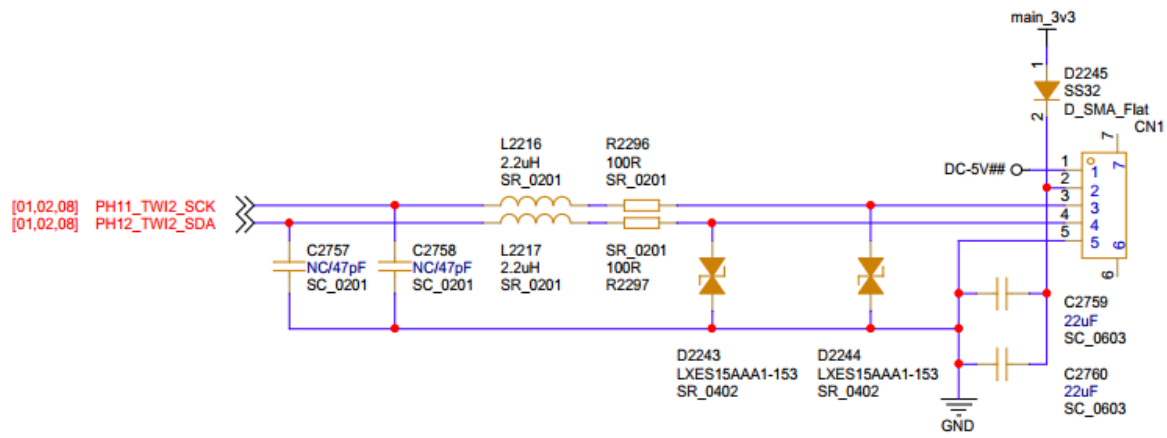
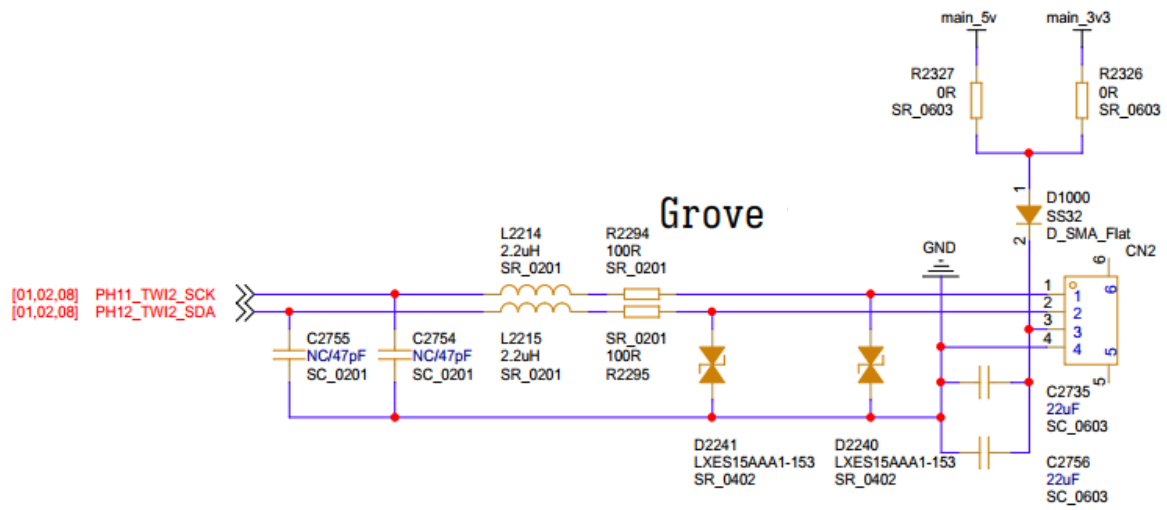


# KidBright $\mu$ AI (Version 1.0)

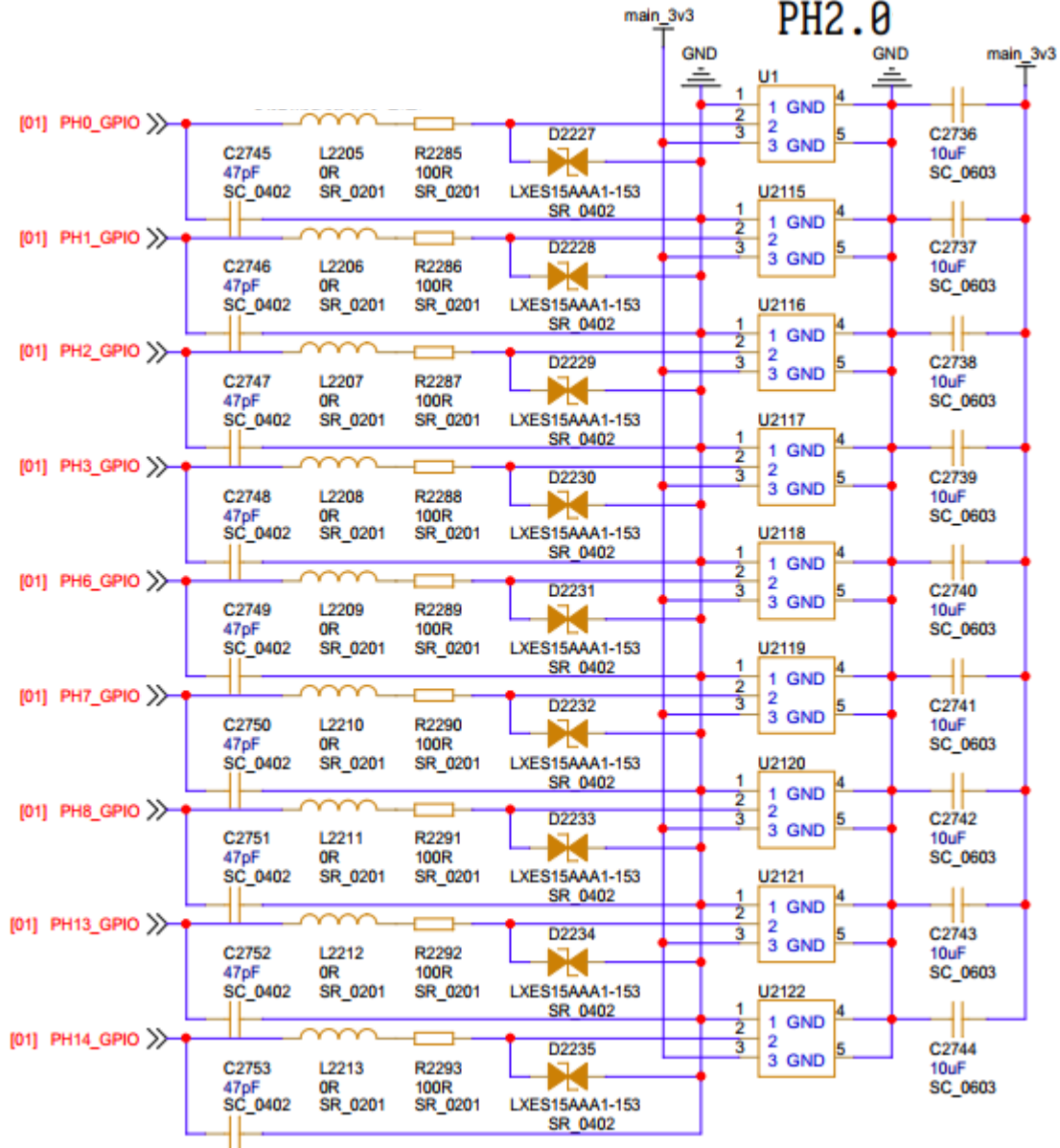








# PH2.0



# 5V DC

